

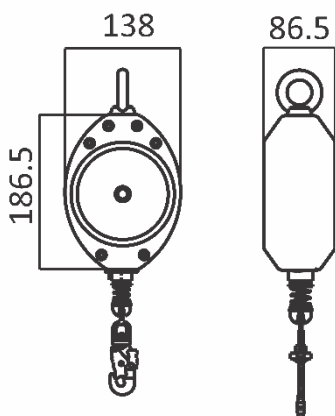


TECHNICAL SHEET FA 20 400 07

Olympe-S cable, retractable fall arrester 7 m



Olympe-S



- Casing made up of high impact strength Polymer, to prevent breakage.
- Comes with Galvanized Steel Wire Rope of diam. 4.5 mm with a snout for a better gripping of the retractable lanyard.
- Internal braking mechanism to reduce the fall arrest force to less than 6 kN.
- Comes with an external inbuilt energy absorber.
- Swivel at anchorage end and attachment end.

Minimum breaking strength > 12 kN.

Connectors: Steel screw-locking karabiner FA 50 101 17, opening 18 mm, at anchorage end, and steel snap-hook FA 50 203 20, opening 20 mm, with load indicator at attachment end.

Compliance: EN360:2002.

Tested and approved for horizontal use (work near sharp edges) according to VG 11.060 (Rev. 08 - 10/2014).

Material of components:

Protective casing: PA 6 30% fiberglass

Wire rope: Galvanized steel

Connectors: Steel

Snout: Rubber

| | | |
|----------|----|----------|
| Length : | CE | Weight : |
| 7 m | | 3.44 kg |

KRATOS SAFETY

ZI les Portes du Dauphiné
4, rue de l'Aigue
69780 Saint Pierre de Chandieu – FRANCE

Tel : +33 (0)4 72 48 78 27

Fax : +33 (0)4 72 48 58 32

www.kratossafety.com / info@kratossafety.com

HS CODE

8428 90 90

CARTON SIZE / PIECES

60 x 40 x 24 cm / 4

AET N° 8088 Issue 3 Extension 2

Satra Technology Centre, N°0321
Wyndham Way, Telford Way, Kettering
Northamptonshire, NN16 8SD, United Kingdom

ARTICLE 11 GB07/73551

SGS United Kingdom Ltd., N°0120
Unit 202B, Worle Parkway,
Weston-super-Mare, BS22 6WA, United Kingdom